

INSTRUCTION MANUAL

PACIFICA FA0110BL

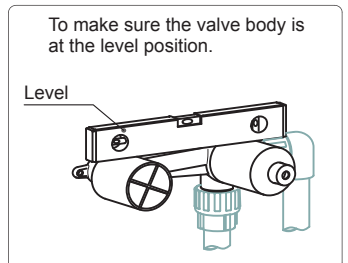
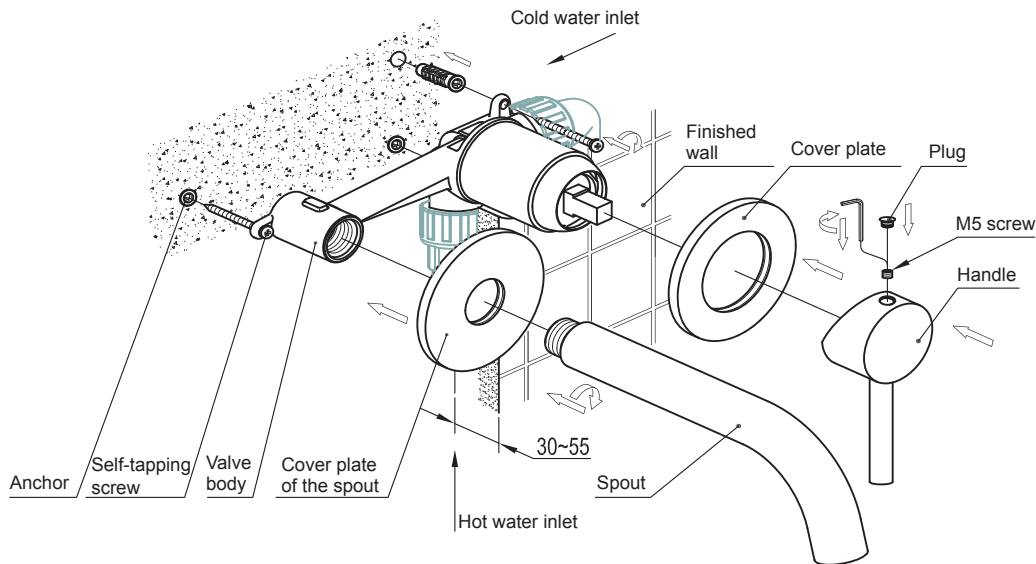
I. Installation Notice:

1. Please lay water pipes in accordance with this manual.
2. Floor drain should be installed on the site.
3. All the components except mixer body should be installed only after the completion of house interior decoration in case paint or other chemicals erode the mixer surface. The protective sleeve on the valve body shall not be removed until then.
4. Clean pipes to get rid of mud, sand or other debris blocked in pipes before installation.
5. Check whether the threads can be matched. Otherwise, install forcefully will damage the components.
6. After installation, check all the joints to make sure they are firmly connected. Then keep water flow. Turn on and off repeatedly to ensure no leaking problem. After that, the product is ready for normal use.
7. Hand the manual to users.

II. Operation Notice:

1. The product is used under water pressure 0.05~1.0 MPa, water temperature 4~90°C.
2. Do not hang heavy things on the mixer.
3. Remember to turn off the mixer when no water comes out of it (especially when nobody in the house or during the decoration period or power off).
4. Clean the surface of mixer regularly to keep it bright. Note: Please do not use inappropriate tools such as sharp brushes, rough sponges, scouring pads or corrosive detergent. And it is not recommended to use the detergent sold in the market, because its formula changes frequently. Please clean the mixer with wet cloth and soapy water after some time of usage. Then rinse the soap off with clean water and dry with a soft cotton cloth.
5. When indoor temperature drops below 0°C, take necessary measures (keep mixer warm, close windows) to prevent the mixer from frost cracking (especially when windows are kept open for ventilation while nobody in the house).
6. Run cold water first and then run hot water, adjust the temperature before use. Do not touch the hot water area of the mixer to avoid scald.
7. Do not disassemble the product without help from the professionals.

■ Installation Diagram



* The installation diagram is only for reference, the product is subject to the real object.

■ Installation Steps

1. Install the mixer as shown in above diagram, connect inlet and outlet water pipe, wrap teflon tape on the joints. (Note: please note the cold and hot water pipe position.) Install the valve body with a level, make sure the distance from the pipe center to the finished wall is between 30~55mm. Flush the water to clean the pipes before installation.
2. Turn off the cartridge, flush the water, maintain the pressure for 2 hours, then check those joints to ensure no leaking problem. Note: considering this product is concealed, it must pass the pressure tests after connecting water supply and before tiling the wall to ensure no leaking problem.
3. Cover the ceramic tiles. Make sure to protect the valve body with protective sheath.
4. Take off the protective sheath, put on the cover plate and handle, tighten M5 screw, and put on the plug.
5. Wrap the spout with teflon tape, put on the cover plate of the spout, then connect to the valve body.
6. When completed, flush the water to check if the installation is proper.