

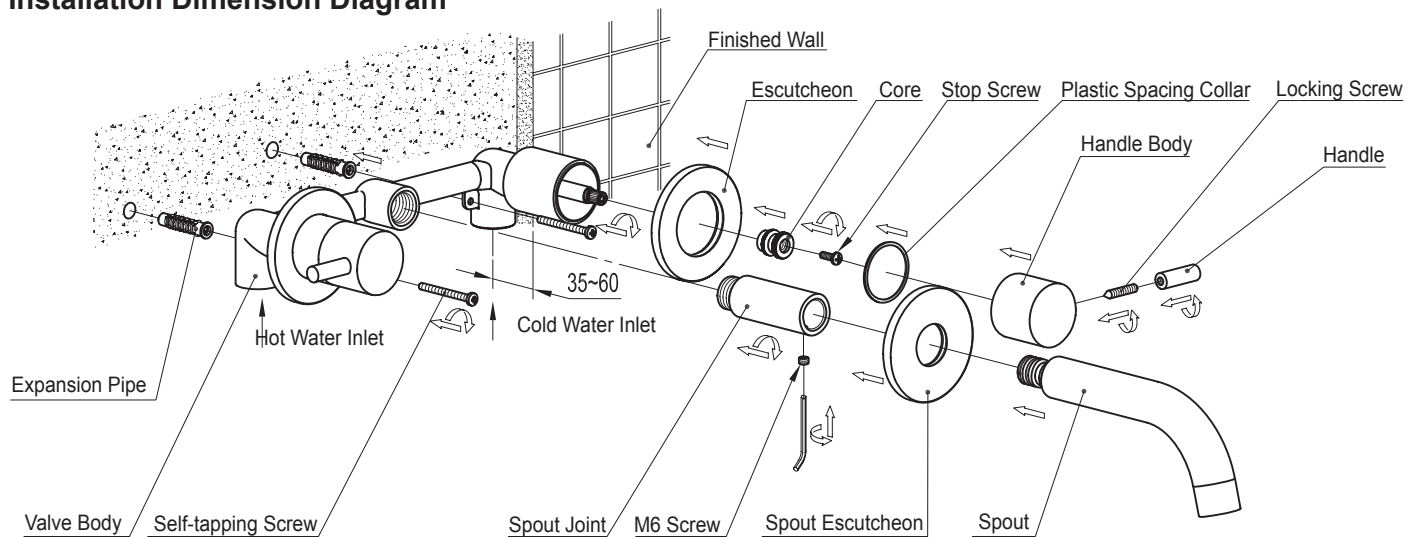
I. Installation Notice

1. Install the water supply pipes in accordance with this manual.
2. Floor drain should be installed in the location of the faucet.
3. Install the faucet only after the completion of house interior decoration in case paint or other chemicals erode the faucet surface.
4. Before installation keep water flow and clean pipes to get rid of sand, mud or other debris blocked in pipes.
5. Wrap the thread part with Teflon tape before it is screwed. To avoid damage to the faucet, use a piece of soft cloth as a pad between wrench mouth and the faucet. (Check whether the threads can be matched. Otherwise, too strong force applied to the wrench will damage the faucet.)
6. After installation, check all the joints to make sure they are firmly connected. Then keep water flow. Turn on and off repeatedly to ensure there is no leakage around the joints. At this stage, the product is ready for normal use.
7. Keep the manual to the user.

II. Operation Notice

1. The product is used between water pressure 0.05~1.0MPa, water temperature 0~90°.
2. Do not hang heavy things on the faucet.
3. Make sure the faucet is off when no water comes out of it (especially when nobody resides in the house or during the period of decoration or the absence of water).
4. Always clean the surface of faucet to keep it bright. Attention: Please do not use inappropriate tools such as sharp brushes, rough sponges, scouring pads or corrosive detergent to clean the faucet, and we do not recommend that you use the detergent sold in the market, because its formula is changing frequently. Please clean the faucet by wet cloth and soapy water after each time of usage. Then rinse the soap out with clean water and dry with a soft cotton cloth.
5. When the room temperature drops to below 0°C, take necessary measures (such measures as keeping faucet warm and closing windows) to prevent the faucet from being frozen and even broken (especially when windows kept open for air ventilation while nobody resides in).
6. First turn on cold water, then hot water. To avoid scalding, regulate the water temperature before washing or showering and do not touch the faucet of hot water part.
7. Do not disassemble the product unless you are an expert.

III. Installation Dimension Diagram



* The installation diagram is just for reference and subject to the real objects.

IV. Installing Steps

1. Remove the handle, locking screw, handle body, plastic spacing collar, stop screw and core from the faucet body. Then put on the plastic protection sheath.
2. Install the faucet body in accordance with diagram, connect the water inlet and wrap the thread part with Teflon tape. Attention to hot left and cold right, the distance between the pipe center and finished wall is 35~60mm.
3. Plug the outlet and open the cartridge, flow water to keep pressure for two hours, check there is no leakage. Attention: as the product is a built-in valve, make sure that pressure with water flowing is tested after pipe connection and before ceramic tiles are stuck on the wall so that no leakage occurs.
4. Stick the ceramic tiles.
5. Wrap the Teflon tape around the spout joint and connect it with valve body. Attention the screw hole toward down and place the spout escutcheon close to the wall, connect the spout, then regulate flow direction and tighten it with M6 screw.
6. Take off the plastic protection sheath, and put on the escutcheon as specified in diagram. Install the handle, attention to hot and cold marking on the handle, hot left (H) and cold right (C).
7. Turn on water for inspection.