

I. Installation Notice

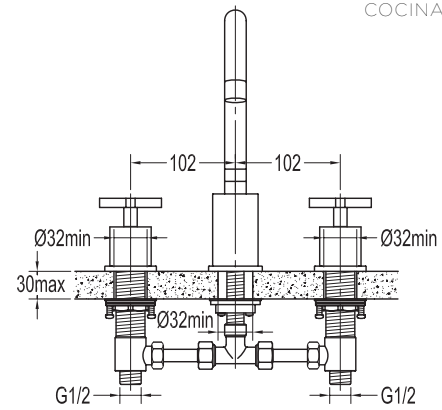
1. Install water supply lines in accordance with this manual.
2. Floor drain should be installed in the location of the faucet.
3. Excluding the valve, the other exposed parts must be installed after the completion of house interior decoration in case paint or other chemicals erode the faucet surface. Notice that the protection sheath on the valve cannot be taken off before installing mounting parts.
4. Clean pipes to get rid of mud, sand or other debris blocked in pipes.
5. Check whether the threads can be matched. Otherwise, too strong force applied to the wrench will damage the faucet.
6. After installation, check all the joints to make sure they are firmly connected. Then keep water flow. Turn on and off repeatedly to ensure there is no leakage around the joints. At this stage, the product is ready for normal use.
7. Keep the manual to the user.

II. Operation Notice

1. The product is used between water pressure 0.05~1.0MPa, water temperature 4~90°C.
2. Do not hang heavy things on the faucet.
3. Make sure the faucet is off when no water comes out of it (especially when nobody resides in the house or during the period of decoration or the absence of water).
4. Always clean the surface of faucet to keep it bright.
Attention: Please do not use inappropriate tools such as sharp brushes, rough sponges, scouring pads or corrosive detergent to clean the faucet, and we do not recommend that you use the detergent sold in the market, because its formula is changing frequently. Please clean the faucet by wet cloth and soapy water after each time of usage. Then rinse the soap out with clean water and dry with a soft cotton cloth.
5. When the room temperature drops to below 0°C, take necessary measures (such measures as keeping faucet warm and closing windows) to prevent the faucet from being frozen or even broken (especially when windows kept open for air ventilation while nobody resides in).
6. First turn on cold water, then hot water. To avoid scalding, regulate the water temperature before washing or showering and do not touch the faucet of hot water part.
7. Do not disassemble the product unless you are an expert.

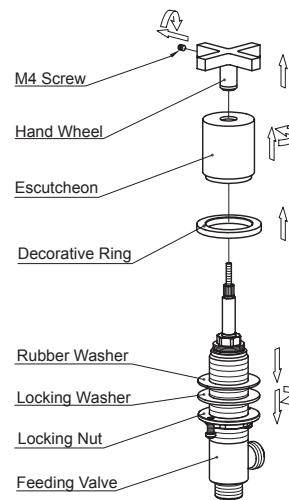
The installation dimensional drawing:

PONTHUS
COCINAS Y BANOS



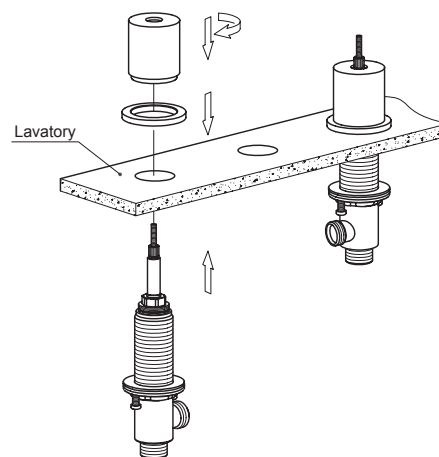
The installation diagram:

1



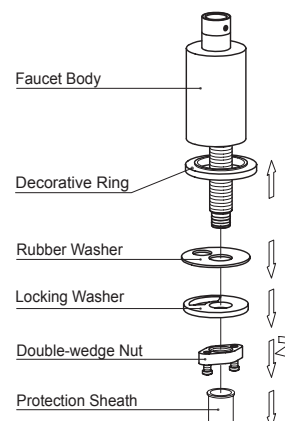
Loosen M4 screw and remove by turning the hand wheel, escutcheon and decorative ring. Screw off the locking nut to the bottom.

2



Place two feeding valves through the lavatory holes with red on the left and blue on the right. Keep the outlets on valves towards each other. Put on decorative ring and tighten escutcheon.

3



Remove the protection sheath, double-wedge nut, locking washer and rubber washer.