

I . Installation Notice

1. Install water supply lines in accordance with this manual.
2. Floor drain should be installed in the location of the faucet.
3. Install the faucet only after the completion of house interior decoration in case paint or other chemicals erode the faucet surface.
4. Clean pipes to get rid of mud, sand or other debris blocked in pipes.
5. Wrap the thread part with Teflon tape before it is screwed. To avoid damage to the faucet, use a piece of cloth as a pad between the wrench mouth and the faucet. (Check whether the threads can be matched. Otherwise, too strong force applied to the wrench will damage the faucet).
6. After installation, check all the joints to make sure they are firmly connected. Then keep water flow. Turn on and off repeatedly to ensure there is no leakage around the joints. At this stage, the product is ready for normal use.
7. Keep the manual to the user.

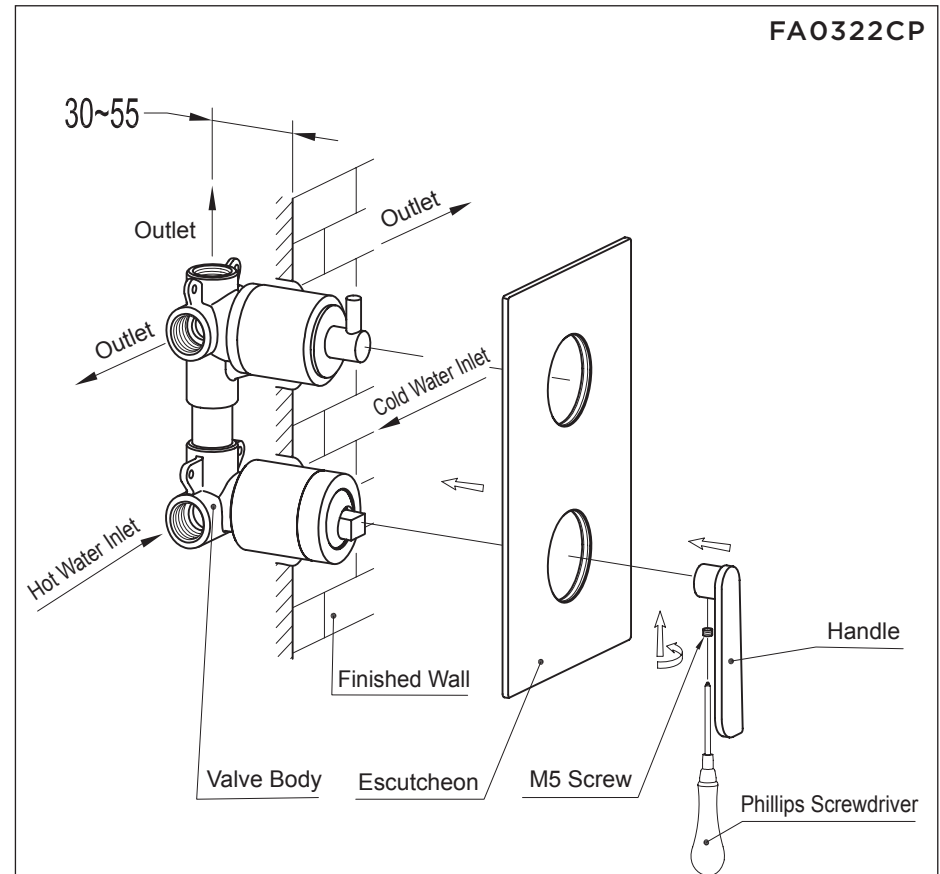
II . Operation Notice

1. The product is used between water pressure 0.05~1.0MPa, water temperature 0~90°C.
2. Do not hang heavy things on the faucet.
3. Make sure the faucet is off when no water comes out of it (especially when nobody resides in the house or during the period of decoration or the absence of water).
4. Regularly clean the surface of faucet in neutral wash solution. Then dry it with a piece of soft cotton cloth to keep it bright.
5. When the room temperature drops to below 0°C, take necessary measures (such measures as keeping faucet warm and closing windows) to prevent the faucet from being frozen and even broken (especially when windows kept open for air ventilation while nobody resides in).
6. First turn on cold water, then hot water. To avoid scalding, regulate the water temperature before washing or showering and do not touch the faucet of hot water part.
7. Do not disassemble the product unless you are an expert.

■ Installing Steps

1. Install the valve body in accordance with the diagram, and connect the inlet and outlet pipes. Wrap the Teflon tape around the threads of joints. The hot water supply is on the left and the cold water supply on the right. The distance between the pipe center and the wall is 30~55mm. Attention: Keep the water flow to get rid of mud, sand or other debris blocked in pipes before installation of valve body.
2. Block the outlet, and turn on the water supply to keep the pressure for two hours. Ensure there is no leakage. Attention: As the product is a built-in valve, before ceramic tiles are stuck on the wall, keep water flow to test the endurance of water pressure in case leakage occurs.
3. Stick the ceramic tiles on the wall (it is a must to put on the protection sheath).
4. Take off the protection sheath, put on the escutcheon, fit the handle and tighten it with M5 screw.
5. Turn on water for inspection.

■ Diagram



* The installation diagram is only for reference and subject to the real objects.

PONTHUS
COCINAS Y BANOS