

INSTRUCTION MANUAL

TWIN FA9002CP

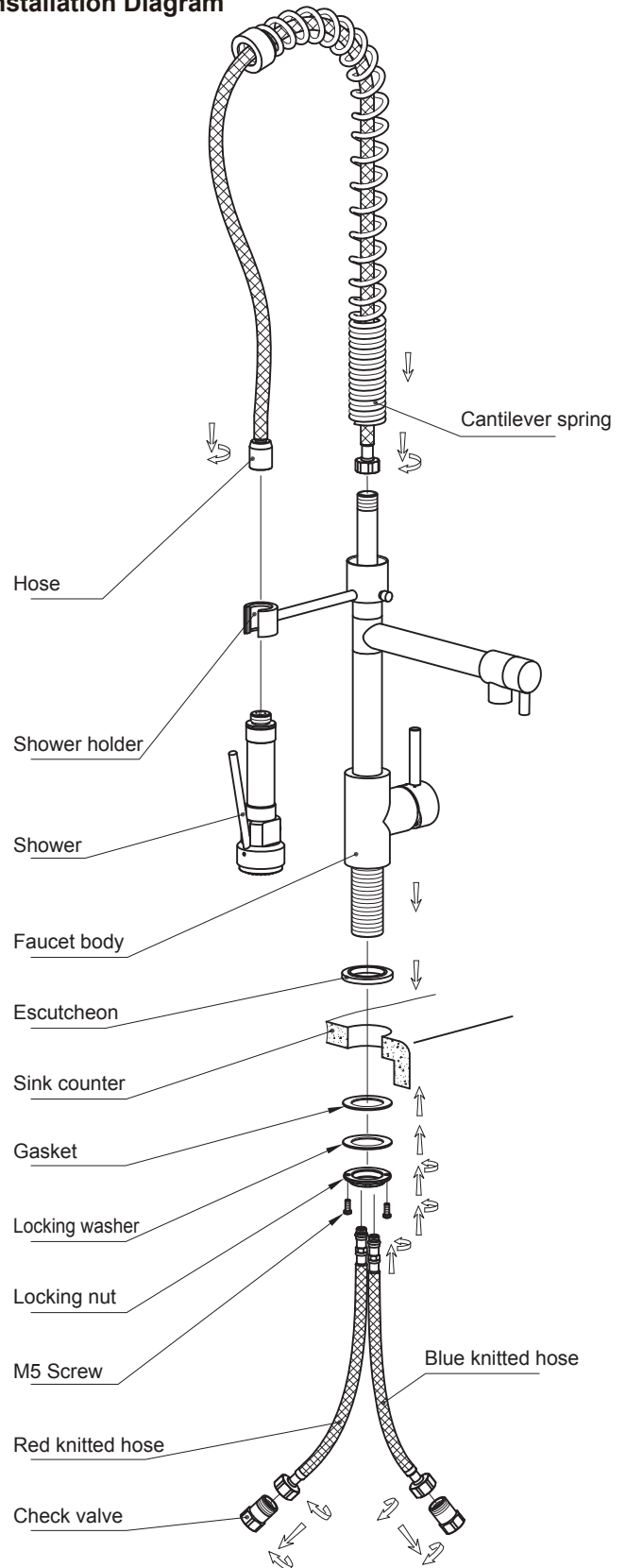
I. Installation Notice

1. Install water supply lines in accordance with this manual.
2. Floor drain should be installed in the location of the faucet.
3. Install faucets only after the completion of house interior decoration in case paint or other chemicals erode faucet surface.
4. Clean pipes before installation to get rid of mud, sand or other debris.
5. If the thread of pipes don't match well with product, please find out the reason first, otherwise a forced connection will damage the faucet.
6. After installation, check all the joints to make sure they are firmly connected. Then keep water flow. Turn on and off repeatedly to ensure there is no leakage around the joints. At this stage, the product is ready for normal use.
7. Keep the manual to the user.

II. Operation Notice

1. The working condition of this product is water pressure 0.05~1.0MPa, water temperature 4~90°C.
2. Do not hang heavy things on the faucet.
3. Make sure the faucet is off when no water comes out of it (especially when nobody resides in or during the period of decoration or suspend of water).
4. Regularly clean the surface of faucet to keep it bright. Attention: do not use inappropriate tools such as sharp brushes, rough sponges, scouring pads or corrosive detergent to clean the faucet, and we do not recommend that you use the detergent sold in the market, because its formula is changing frequently. Please clean the faucet by a wet cotton cloth with soapy water, then rinse and dry with a soft cotton cloth after each time of usage.
5. When the room temperature drops to below 0°C, take necessary measures (such as keeping faucet warm and closing windows) to prevent the faucet from being frozen or even broken (especially when windows kept open for air ventilation while nobody resides in).
6. Please open the cold and hot water in turn and adjust to comfortable temperature before washing to avoid scald.
7. Do not disassemble the product unless you are an expert.

■ Installation Diagram



* The installation diagram is only for reference, the product is subject to the real object.

■ Installation Steps

1. Connect faucet body with two knitted hoses tightly as figure, pad escutcheon and pass it through sink counter, pad gasket and locking washer, screw on locking nut and fix with two M5 screws.
2. Connect check valves with triangle valves tightly, then connect to knitted hoses (NOTE: red knitted hose for hot water inlet, blue knitted hose for cold water inlet).
3. Connect hose in cantilever spring with faucet body tightly, insert cantilever spring to faucet body.
4. Connect shower and hose.
5. Run water to check if the installation is qualified.