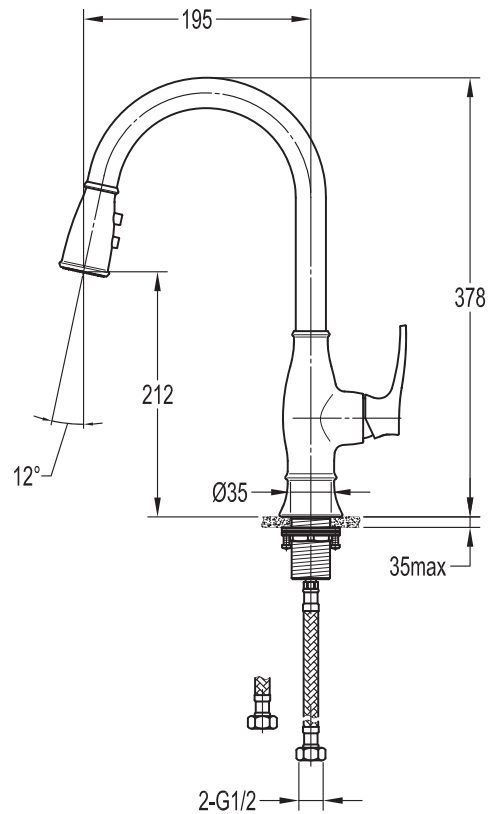


INSTRUCTION MANUAL

PRESIDIO FA9003CP

III. Installation Diagram



* The installation diagram is only for reference, the product is subject to the real object.

I. Installation Notice

1. Install water supply lines in accordance with this manual.
2. Floor drain should be installed in the location of the faucet.
3. Install faucets only after the completion of house interior decoration in case paint or other chemicals erode faucet surface.
4. Clean pipes before installation to get rid of mud, sand or other debris.
5. If the thread of pipes don't match well with product, please find out the reason first, otherwise a forced connection will damage the faucet.
6. After installation, ensure all the joints are firmly connected. Then run water and open faucet repeatedly to make sure there are no leaks. At this stage, the product is ready for normal use.
7. Keep the manual to the user.

II. Operation Notice

1. The working condition of this product is water pressure 0.05~1.0MPa, water temperature 4~90°C.
2. Do not hang heavy things on the faucet.
3. Do remember to turn off faucet even when turn on faucet and no water flow from it (especially when nobody resides in or during the period of decoration or suspend of water).
4. Regularly clean the surface of faucet to keep it bright. Attention: do not use inappropriate tools such as sharp brushes, rough sponges, scouring pads or corrosive detergent to clean the faucet, and we do not recommend that you use the detergent sold in the market, because its formula is changing frequently. Please clean the faucet by a wet cotton cloth with soapy water, then rinse and dry with a soft cotton cloth after each time of usage.
5. When the room temperature drops to below 0°C, take necessary measures (such as keeping faucet warm and closing windows) to prevent the faucet from being frozen or even broken (especially when windows kept open for air ventilation while nobody resides in).
6. Please open the cold and hot water in turn and adjust to comfortable temperature before washing to avoid scald.
7. Do not disassemble the product unless you are an expert.

IV. Installation Steps (Fig.1- 6)

1

Prepare below tools.

Phillips Screwdriver

Spanner

2

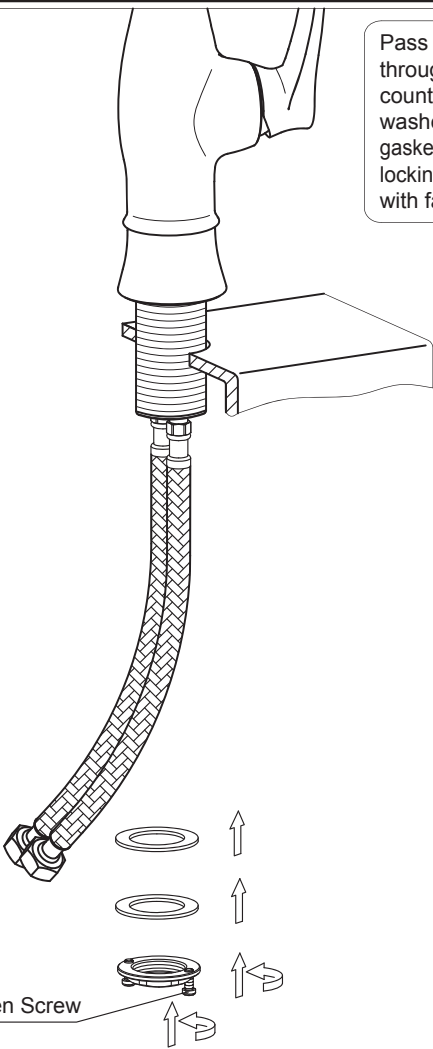
Remove locking nut, locking gasket and rubber washer in turn.

Rubber Washer

Locking Gasket

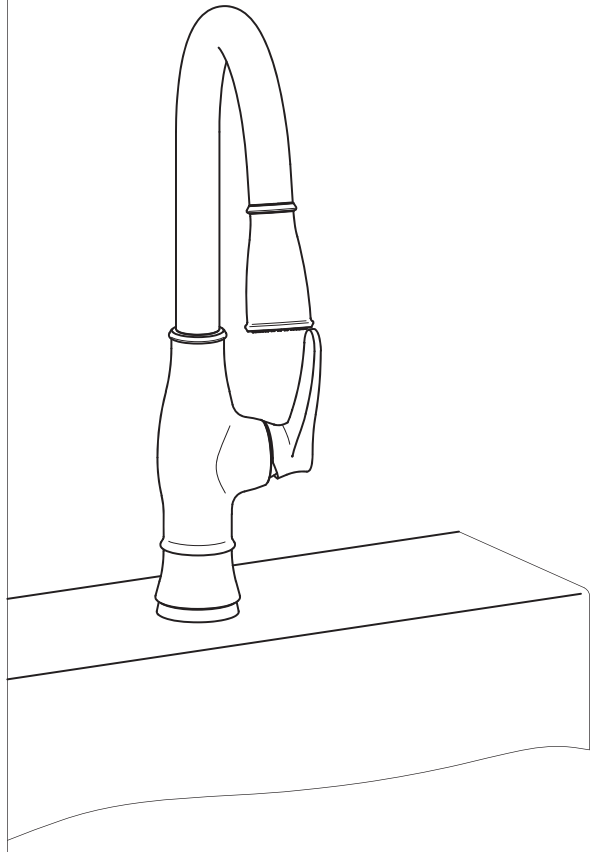
Locking Nut

3



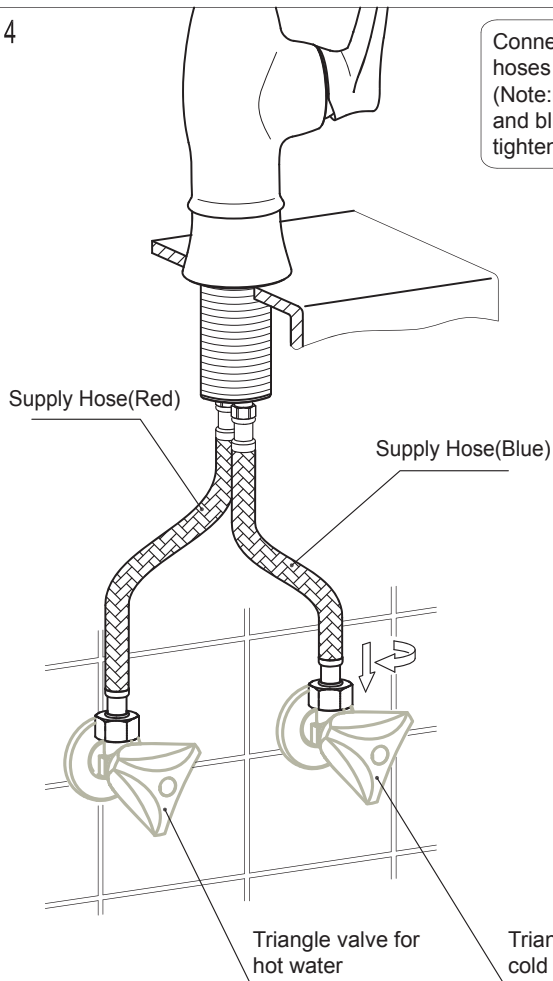
Pass faucet body through hole of sink counter, pad rubber washer and locking gasket in turn, screw on locking nuts and secure with fasten screw.

5



Installation is finished, the figure is when faucet switched off.

4



Connect two supply hoses to triangle valves (Note: red for hot water and blue for cold water), tighten with spanner.

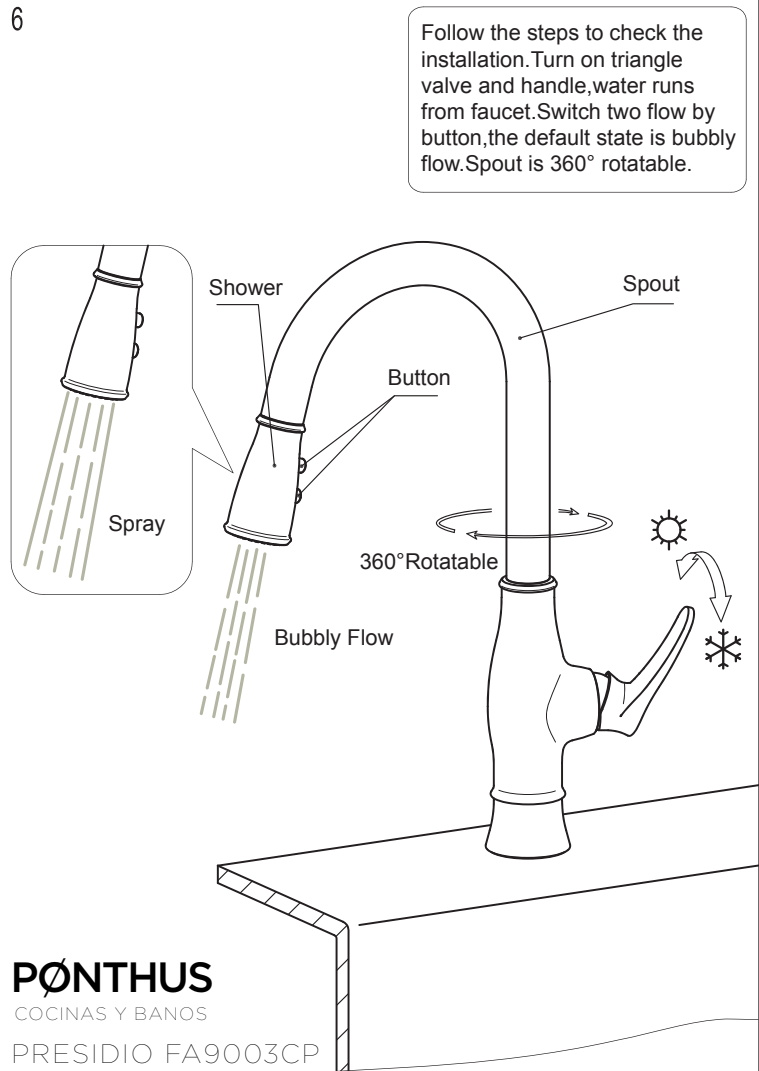
Supply Hose (Red)

Supply Hose (Blue)

Triangle valve for hot water

Triangle valve for cold water

6



Follow the steps to check the installation. Turn on triangle valve and handle, water runs from faucet. Switch two flow by button, the default state is bubbly flow. Spout is 360° rotatable.

Shower

Spout

Spray

Button

360° Rotatable

Bubbly Flow